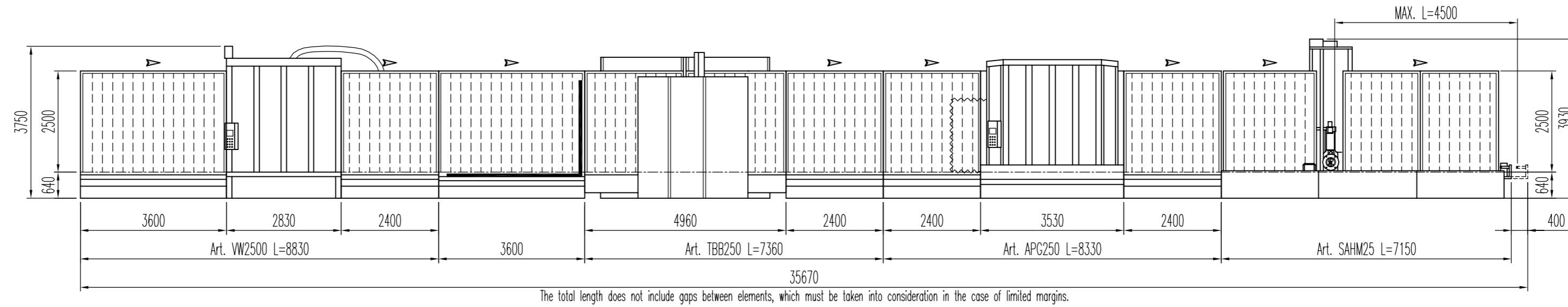
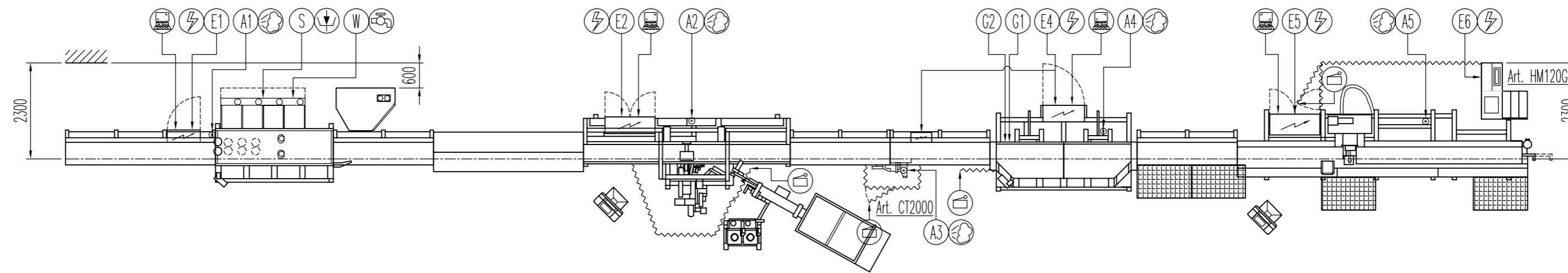


ELECTRIC PROTECTION DEVICES
(MACHINE POWER SUPPLY)
AGAINST:
- OVERLOADS
- SHORT CIRCUIT
- INDIRECT CONTACTS
ARE CUSTOMER SUPPLY AND
INSTALLATION. FOR IT SYSTEMS,
THE LEVEL OF INSULATION
OF FOR.E.L. MACHINES IS SUCH
THAT IT ACCEPTS A 0,030 A
DIFFERENTIAL PROTECTION
SWITCH NOT ONLY IN MANDATORY
CASES (WET ENVIRONMENTS) BUT
IN PRACTICALLY ALL INSTALLATIONS.
SHOULD EMC FILTERS BE INSTALLED,
THE DIFFERENTIAL PROTECTION
CAN BE INCREASED TO 0,5 A
(IN ANY CASE ADJUST TO THE
MINIMUM PARAMETERS).

CONVEYING PLANES
ARE 6° INCLINED TOWARDS
THE MAIN PLANES.



The total length does not include gaps between elements, which must be taken into consideration in the case of limited margins.



I.G. Line Plant Art. APG250
with vertical washing machine Art. VW2500
with automatic "T-Shape" applicator Art. TBB250
with automatic sealing robot Art. SAHM25

ETHERNET
Category "5/6" UTP shielded
cable - RJ-45 connector

S	W	WATER CONSUMPTION
1 1/4" G	3/4" G-#17 2.5 bar	ACCORDING TO TYPE OF GLASS AND FILTH

G1-G2	GAS
Feeding from one bottle or preferably more gas bottles Ar or N ₂ (optional) linked up in parallel with HP joints (high pressure) - pressure field 200-15 barg upstream from the pressure regulator (N=UN4412, OUT=3/8" Rp) - flow rate min. 1500 Nl/min (20 °C ±10 °C)	

A1	AIR CONSUMPTION	A2	AIR CONSUMPTION	A3	AIR CONSUMPTION	A4	AIR CONSUMPTION	A5	AIR CONSUMPTION
Rp 1/2"	100 Nl/min (PEAK)	Rp 1/2"	400 Nl/min (PEAK)	Rp 1/4"	300 Nl/min (PEAK)	Rp 1/2"	800 Nl/min (PEAK)	Rp 1/2"	400 Nl/min (PEAK)
6 bar		6 bar		6 bar		6 bar		6 bar	

E1	THERMAL SWITCH	E2	THERMAL SWITCH	E4	THERMAL SWITCH	E5	THERMAL SWITCH	E6	THERMAL SWITCH
3P+N+E ~50Hz 400/230V Installed: 32 kW Absorbed maximum: ~80%	63 A	3P+N+E ~50Hz 400/230V Installed: 13 kW Absorbed maximum: ~80%	40 A	3P+N+E ~50Hz 400/230V Installed: 6 kW Absorbed maximum: ~80%	25 A	3P+N+E ~50Hz 400/230V Installed: 10 kW Absorbed maximum: ~80%	32 A	3P+N+E ~50Hz 400/230V Installed: 5 kW Absorbed maximum: ~80%	16 A

~~~~ SAFETY GUARDS SUPPLIED BY THE MANUFACTURER.

\* ENLARGE THIS LAYOUT BY 2 (FROM A4 TO A2)  
TO OBTAIN A SCALE DRAWING 1:100



CLIENTE:

Cod.: STEWART-1

Data: 16/11/2010

Dis: Lorenzo S.

Scala: \*1:100